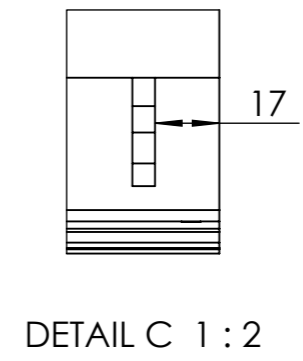
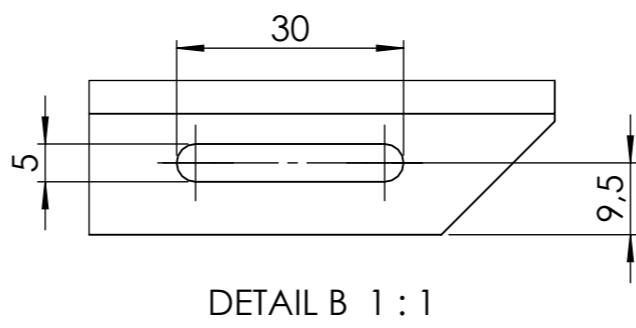
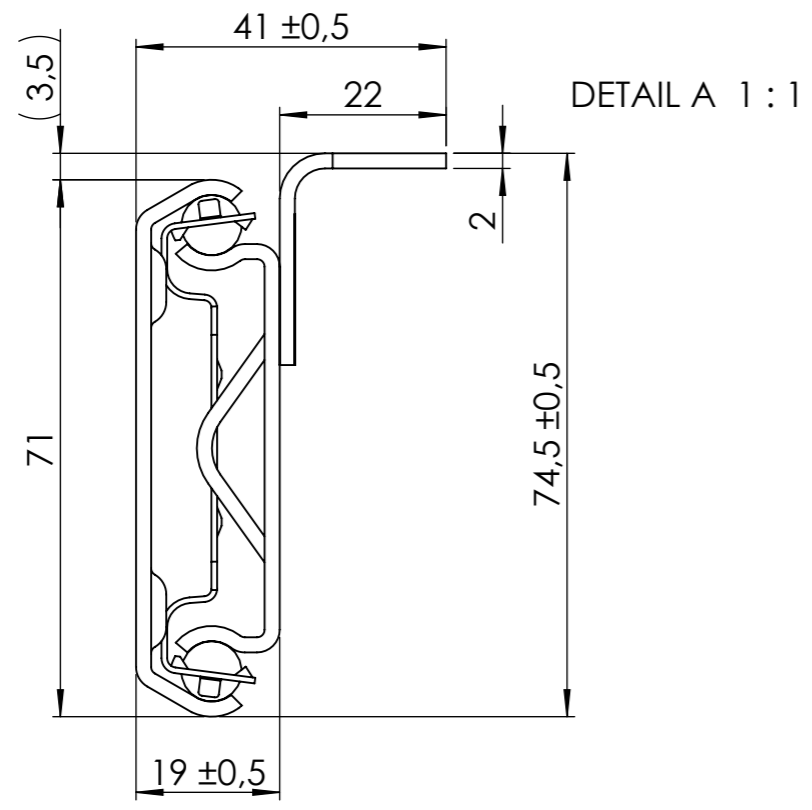
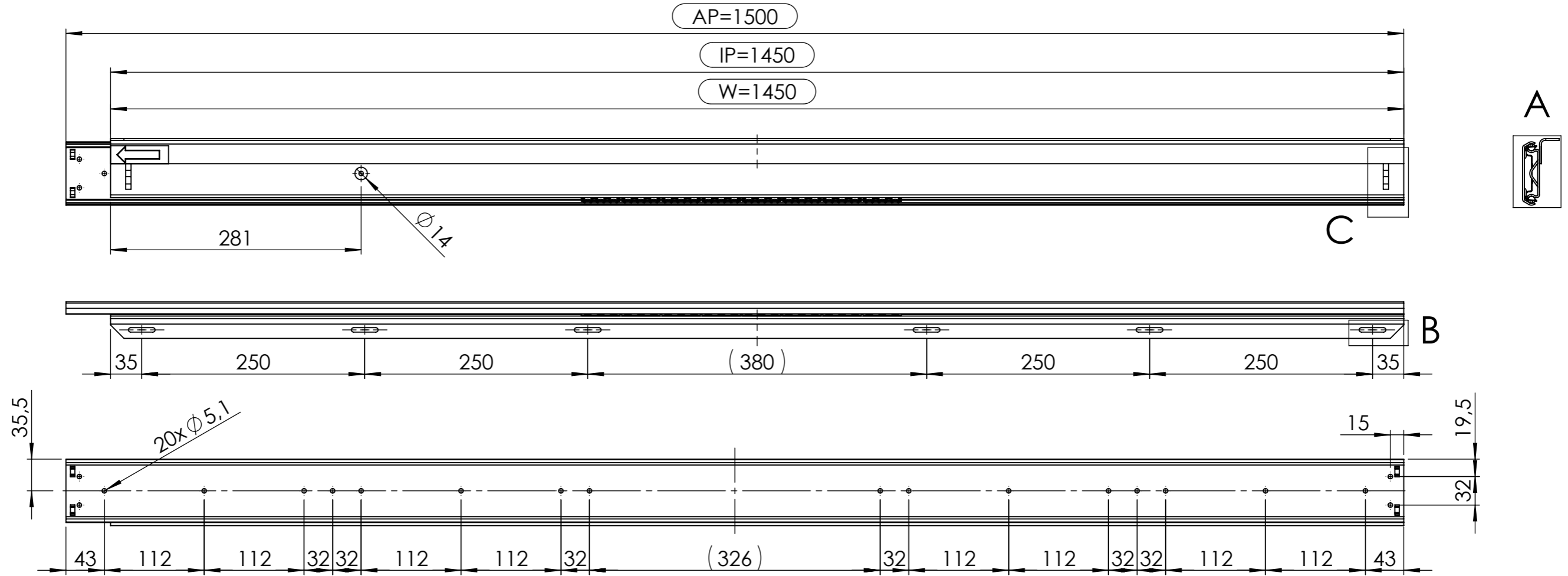


All property rights and rights to exploitation of copyright for this drawing data remain ours; they may not be made available to third parties without our consent.



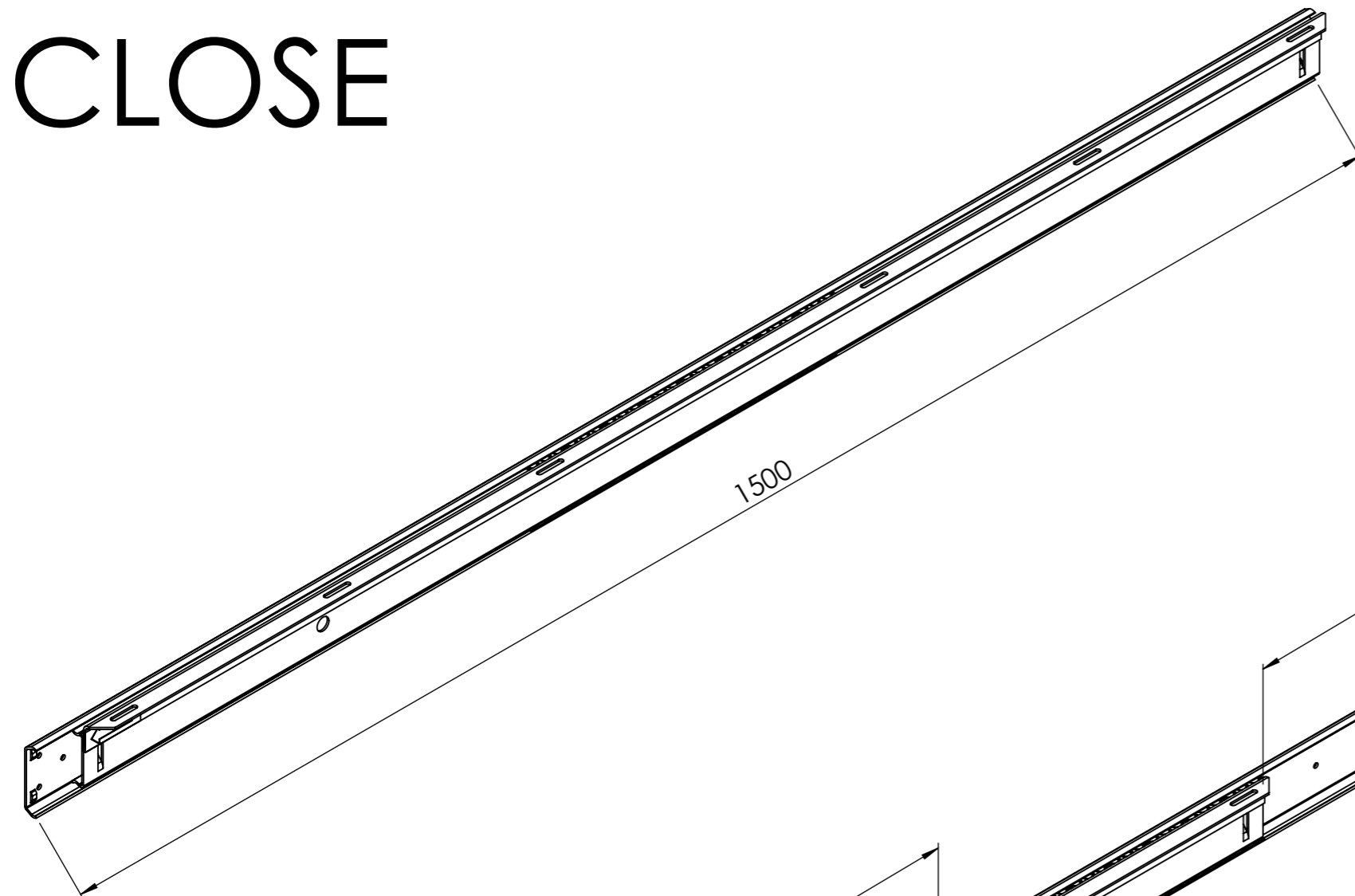
ATTENTION:  
designed right  
mirror-imaged left

way of travel: ca. **1136** mm

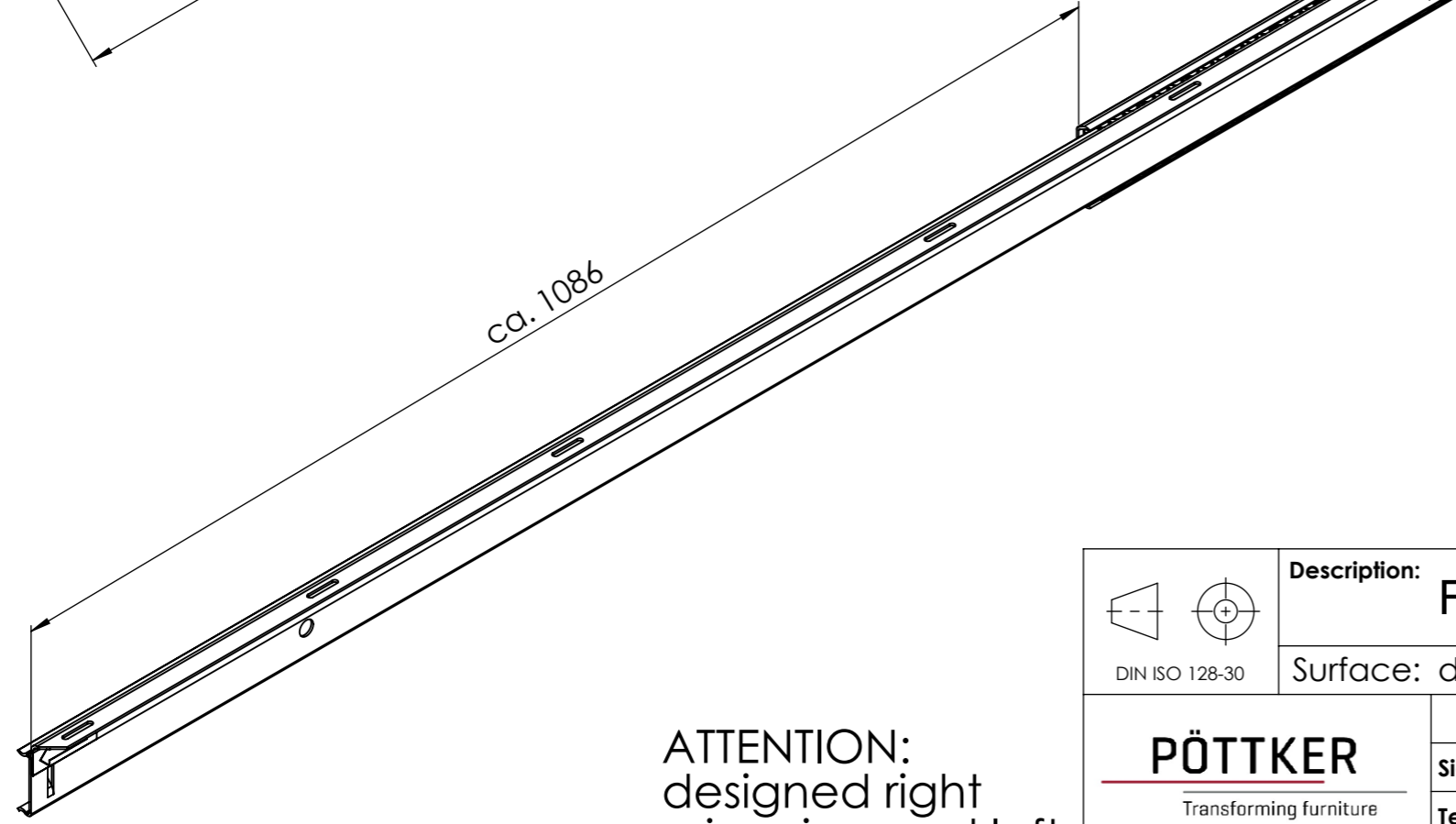
a	Stückliste überarbeitet	15.09.17	Va.
<b>Index</b>	<b>Change</b>	<b>Date</b>	<b>Name</b>
	<b>Description:</b> F/1500.7/1450.7/W1450/KK8		
DIN ISO 128-30	Surface: diverse	Material: diverse	Weight: 5.07 kg
<b>PÖTTKER</b> Transforming furniture	Name	Date	Company
	Signed	Vaquero	11.01.13
	Tested	J. Vaquero	21.09.2017
General tolerance: DIN ISO 2768 - m	Item No: <b>77150304</b>	Scale 1:5	Page 1/3

All property rights and rights to exploitation of copyright for this drawing data remain ours; they may not be made available to third parties without our consent.

# CLOSE

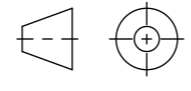


WAY OF TRAVEL = ca. 1136

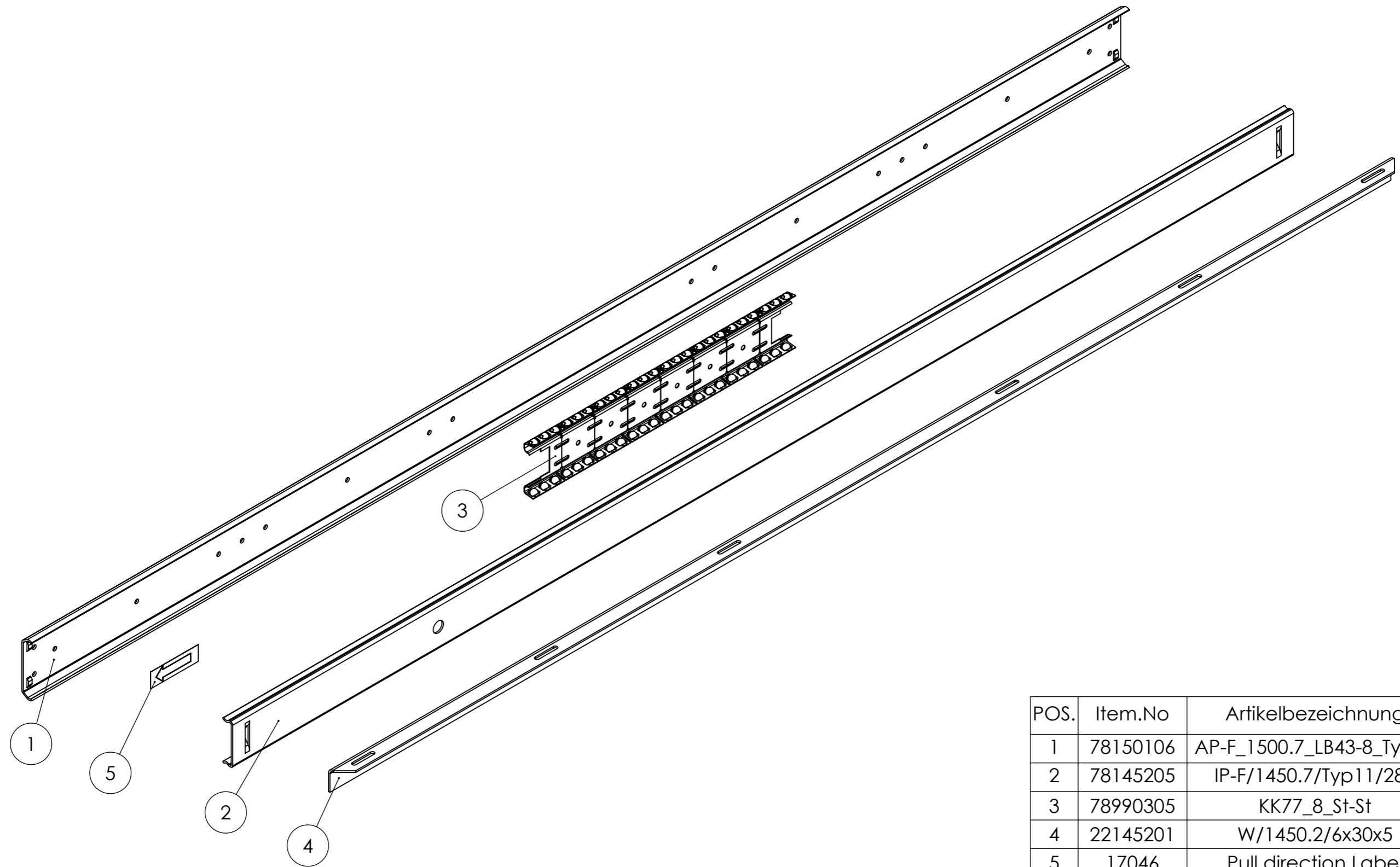


# OPEN

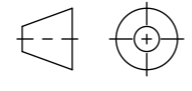
ATTENTION:  
designed right  
mirror-imaged left

 DIN ISO 128-30	<b>Description:</b> F/1500.7/1450.7/W1450/KK8				
	Surface: diverse		Material: diverse		Weight: 5.07 kg
<b>PÖTTKER</b> Transforming furniture	<b>Signed</b>	Name Vaquero	Date 11.01.13	Company	
	<b>Tested</b>	J. Vaquero	21.09.2017	Second Company:	
General tolerance: DIN ISO 2768 - m		Item No:	<b>77150304</b>	Scale 1:5	Page 2/3

All property rights and rights to exploitation of copyright for this drawing data remain ours; they may not be made available to third parties without our consent.



POS.	Item.No	Artikelbezeichnung	Menge x2
1	78150106	AP-F_1500.7_LB43-8_Typ02	1
2	78145205	IP-F/1450.7/Typ11/281	1
3	78990305	KK77_8_St-St	1
4	22145201	W/1450.2/6x30x5	1
5	17046	Pull direction Label	1

 DIN ISO 128-30	<b>Description:</b> F/1500.7/1450.7/W1450/KK8		
	Surface: diverse		Material: diverse
Weight: 5.07 kg			
 Transforming furniture	<b>Name</b>	<b>Date</b>	<b>Company</b>
	<b>Signed</b> Vaquero	11.01.13	Second Company:
	<b>Tested</b> J. Vaquero	21.09.2017	
General tolerance: DIN ISO 2768 - m		Item No: <b>77150304</b>	Scale 1:4
		Page 3/3	<b>A3</b>

**ATTENTION:**  
designed right  
mirror-imaged left